

chapter C-24.2, r. 43.1

Ministerial Order concerning use of flexible folding aerodynamic systems for road vehicles

Highway Safety Code
(chapter C-24.2, s. 633.2).

Revoked, M.O. 2016-04, 2016 G.O. 2, 1337.

TABLE OF CONTENTS

1. *The provisions of section 474 of the Highway Safety Code (chapter C-24.2) are suspended with respect to a flexible folding aerodynamic system installed at the rear of a road vehicle provided that, as shown,*

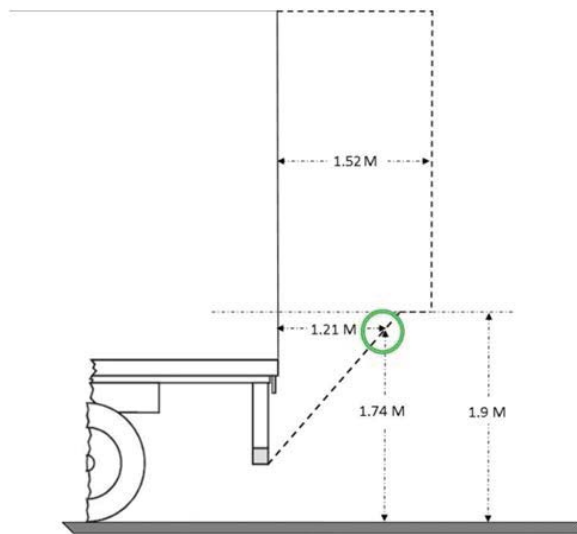
(1) *any part of the system located at more than 1.9 m from the ground does not exceed, when unfolded, by more than 152 cm the rear end of the vehicle;*

(2) *any part of the system located at less than 1.9 m from the ground does not exceed, when unfolded, a virtual line connecting the following points:*

(a) *a point located at 1.74 m from the ground and 121 cm from the rear end of the vehicle;*

(b) *a point located at the rear end and the lowest part of the vehicle bumper or, if there is no bumper, a point located at the lowest part of the rear end of the vehicle;*

(3) *any part of the system does not exceed, when folded, by more than 30.5 cm the rear end of the vehicle.*



M.O. 2016-04, s. 1.

2. *With respect to a flexible folding aerodynamic system installed at the rear of a road vehicle, the provisions of the second paragraph of section 4.1 of the Vehicle Load and Size Limits Regulation (chapter C-24.2, r. 31) are suspended and replaced by the following:*

“The same applies to the flexible folding aerodynamic system located at the rear of a road vehicle, provided that, as shown,

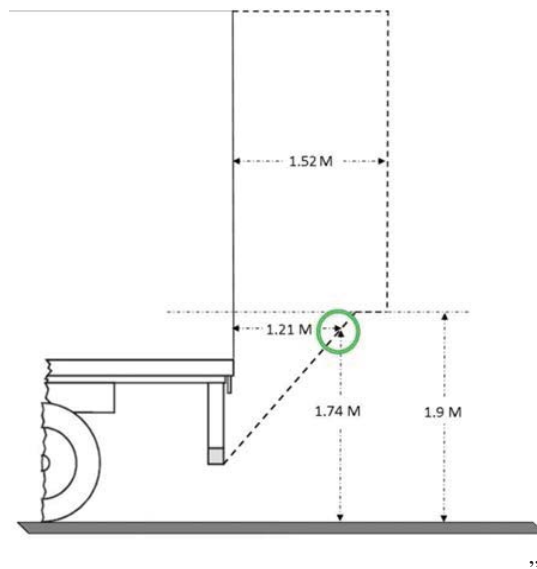
(1) any part of the system located at more than 1.9 m from the ground does not exceed, when unfolded, by more than 152 cm the rear end of the vehicle;

(2) any part of the system located at less than 1.9 m from the ground does not exceed, when unfolded, a virtual line connecting the following points:

(a) a point located at 1.74 m from the ground and 121 cm from the rear end of the vehicle;

(b) a point located at the rear end and the lowest part of the vehicle bumper or, if there is no bumper, a point located at the lowest part of the rear end of the vehicle;

(3) any part of the system does not exceed, when folded, by more than 30.5 cm the rear end of the vehicle.



”.

M.O. 2016-04, s. 2.

3. With respect to a flexible folding aerodynamic system installed at the rear of a semi-trailer of a road train, the provisions of subparagraphs 3 and 4 of the first paragraph of section 3 of the Special Road Train Operating Permits Regulation (chapter C-24.2, r. 36) are suspended and replaced by the following:

“(3) the first semi-trailer has a maximum length of 16.20 m and a minimum length of 12 m, in the case of a B train double, or 13.50 m, in the case of an A or C train double, the whole without taking into account the presence of a flexible folding aerodynamic system located at the rear of the semi-trailer; provided that, as shown,

(a) any part of the system located at more than 1.9 m from the ground does not exceed, when unfolded, by more than 152 cm the rear end of the vehicle;

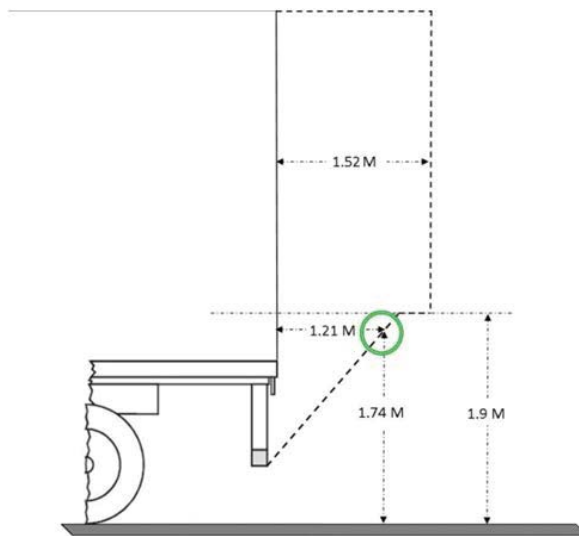
(b) any part of the system located at less than 1.9 m from the ground does not exceed, when unfolded, a virtual line connecting the following points:

i. a point located at 1.74 m from the ground and 121 cm from the rear end of the vehicle;

ii. a point located at the rear end and the lowest part of the vehicle bumper or, if there is no bumper, a point located at the lowest part of the rear end of the vehicle;

(c) any part of the system does not exceed, when folded, by more than 30.5 cm the rear end of the vehicle;

(4) the second semi-trailer has a maximum length of 16.20 m and a minimum length of 12 m, without taking into account the presence of a flexible folding aerodynamic system located at the rear of a road vehicle and complying with subparagraph 3;



”.

”.

M.O. 2016-04, s. 3.

4. *This Order is revoked on 7 April 2021.*

M.O. 2016-04, s. 4.

UPDATES

M.O. 2016-04, 2016 G.O. 2, 1337

