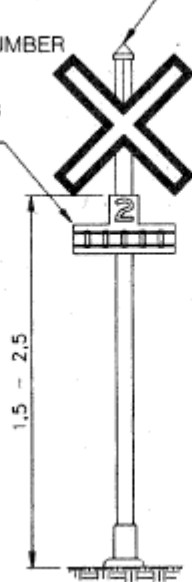
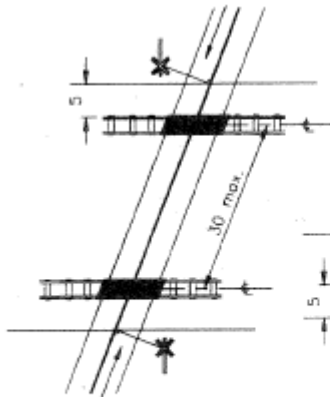
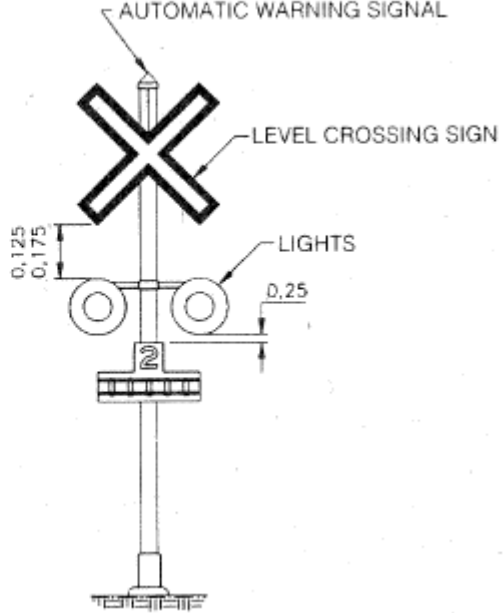


LEVEL CROSSING WITHOUT AN AUTOMATIC WARNING SYSTEM

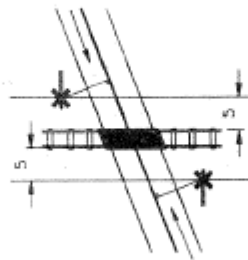
SIGN INDICATING THE NUMBER OF TRACKS
(required at level crossings with two tracks or more)



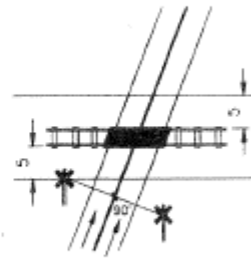
LEVEL CROSSING WITH AN AUTOMATIC WARNING SIGNAL



AXIS OF A ROAD AT AN ANGLE GREATER THAN 90°



AXIS OF A ROAD AT AN ANGLE LESS THAN OR EQUAL TO 90°



AXIS OF A ONE-WAY ROAD WITH SEVERAL LANES OR A DIVIDED HIGHWAY

NOTE: The dimensions are in metres.